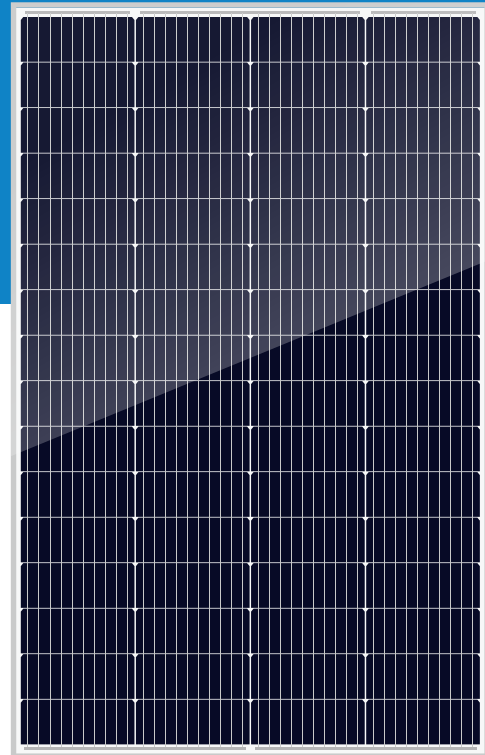


# 180 Watt SS 180M10

182mm 64Cells PV Module



## Electrical Characteristics

|                                 |                   |
|---------------------------------|-------------------|
| Module Type                     | SS 180M10         |
|                                 | STC               |
| Maximum Power- Pmax(W)          | 180               |
| Open Circuit Voltage - Voc(V)   | 21.80             |
| Short- Circuit Current - Isc(A) | 10.10             |
| Voltage at Pmax -Vmp(V)         | 18.79             |
| Current at Pmax - Imp(A)        | 9.58              |
| Module Efficiency - $\eta$ m(%) | 18.90             |
| Power Tolerance(W)              | 0, +4.99W         |
| Maximum System Voltage(V)       | 700Vdc (IEC / UL) |
| Maximum Series Fuse Rating (A)  | 15A               |

## Mechanical Specifications

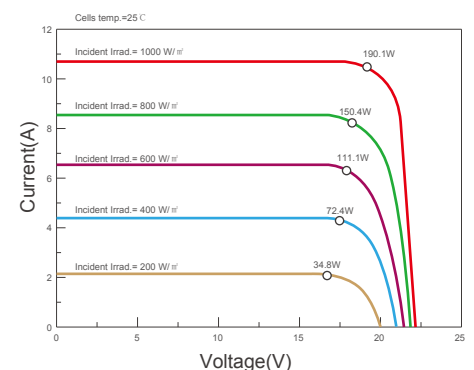
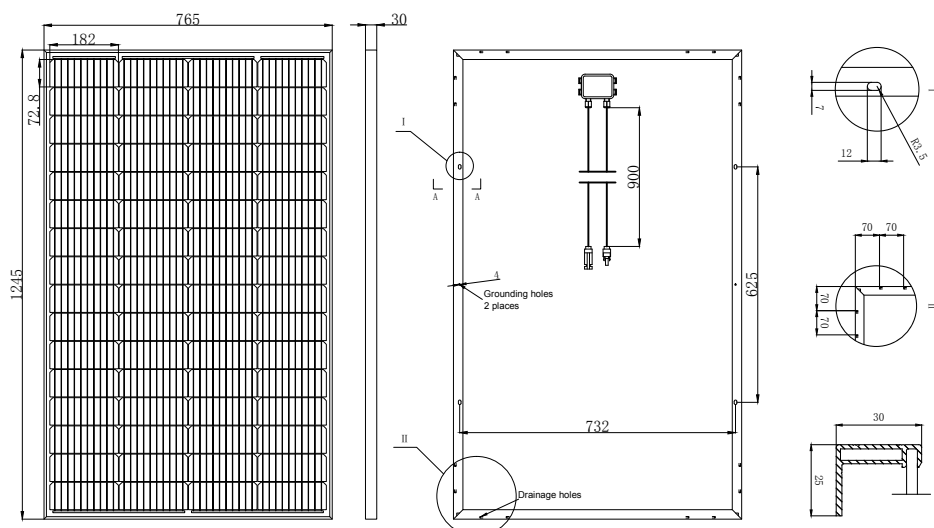
|                     |   |
|---------------------|---|
| External Dimensions | 1245*765*30mm                                 |
| Weight              | 9.87kg  |
| Solar Cells         | Mono crystalline 182X72.8mm (4X16pcs)         |
| Front Glass         | 3.2 mm tempered glass                         |
| Frame               | Aluminum                                      |
| Junction Box        | IP67  |
| Output Cables       | 90cm, length can be customized                |
| Connector           | MC4 Compatible                                |
| Mechanical Load     | Front Side Max. 5400Pa, Rear Side Max. 2400Pa |

## Temperature Characteristics

|  |           |
|--|-----------|
| Pmax Temperature Coefficient             | -0.350%/C |
| Voc Temperature Coefficient              | -0.270%/C |
| Isc Temperature Coefficient              | +0.048%/C |
| Operating Temperature                    | -40~+85 C |
| Nominal Operating Cell Temperature(NOCT) | 45±2 C    |

## Packing Configuration

|                   |                 |
|-------------------|-----------------|
| Module Type       | SS 180M10       |
| Module Dimensions | 1245*765*30mm   |
| Pallet Dimensions | 1295*1100*885mm |
| Pallet Weight     | 385kg           |
| Pieces/Pallet     | 36pcs           |



Distributed by : **Northern Sunshine Co.,Ltd.**

82/33 Rattanathibet 26/1, Nonthaburi 11000 Thailand  @nsthai

